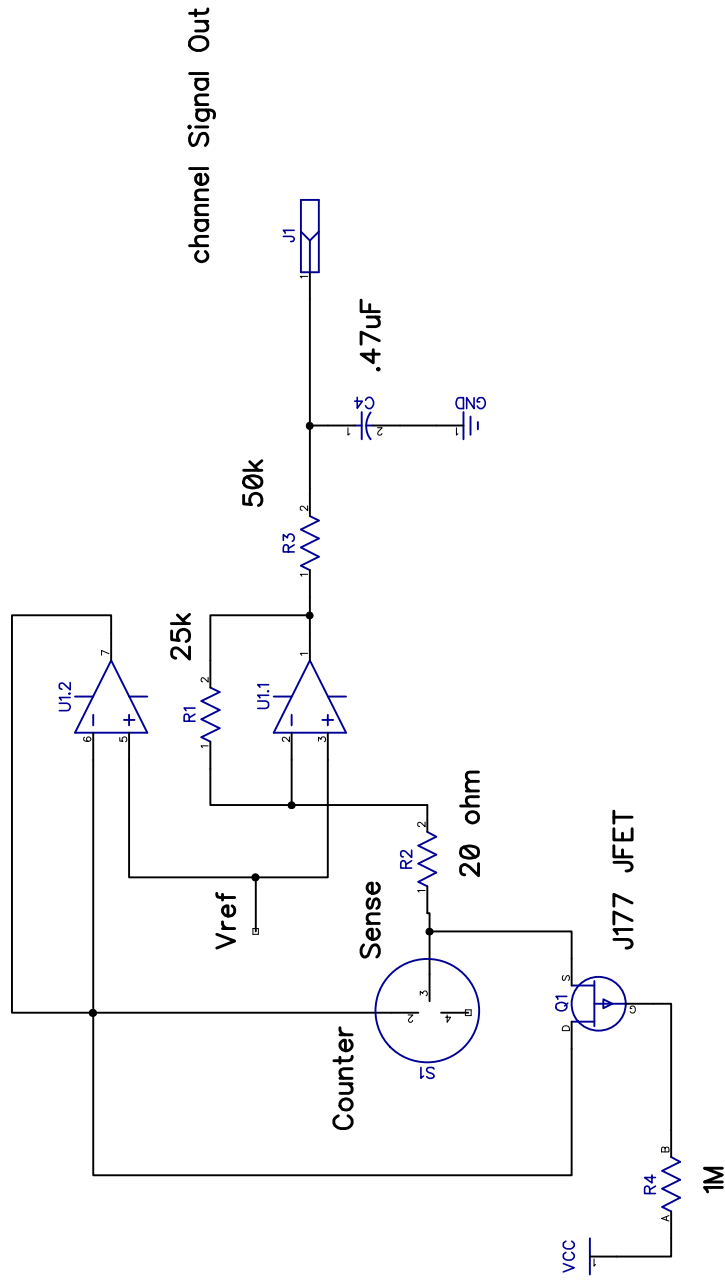


REVISIONS

A0	2 electrode toxic sensor	June 2014	J.dorsey
----	--------------------------	-----------	----------



JFET is OPTIONAL

DD Scientific Limited

2eCO Toxic Sensor Drive

Instrumentation
Quality amplifier
Low input offset < 200uV

Op Amp TLC2252

B FSCM NO.

DWG NO.
2eCO

REV
A0