

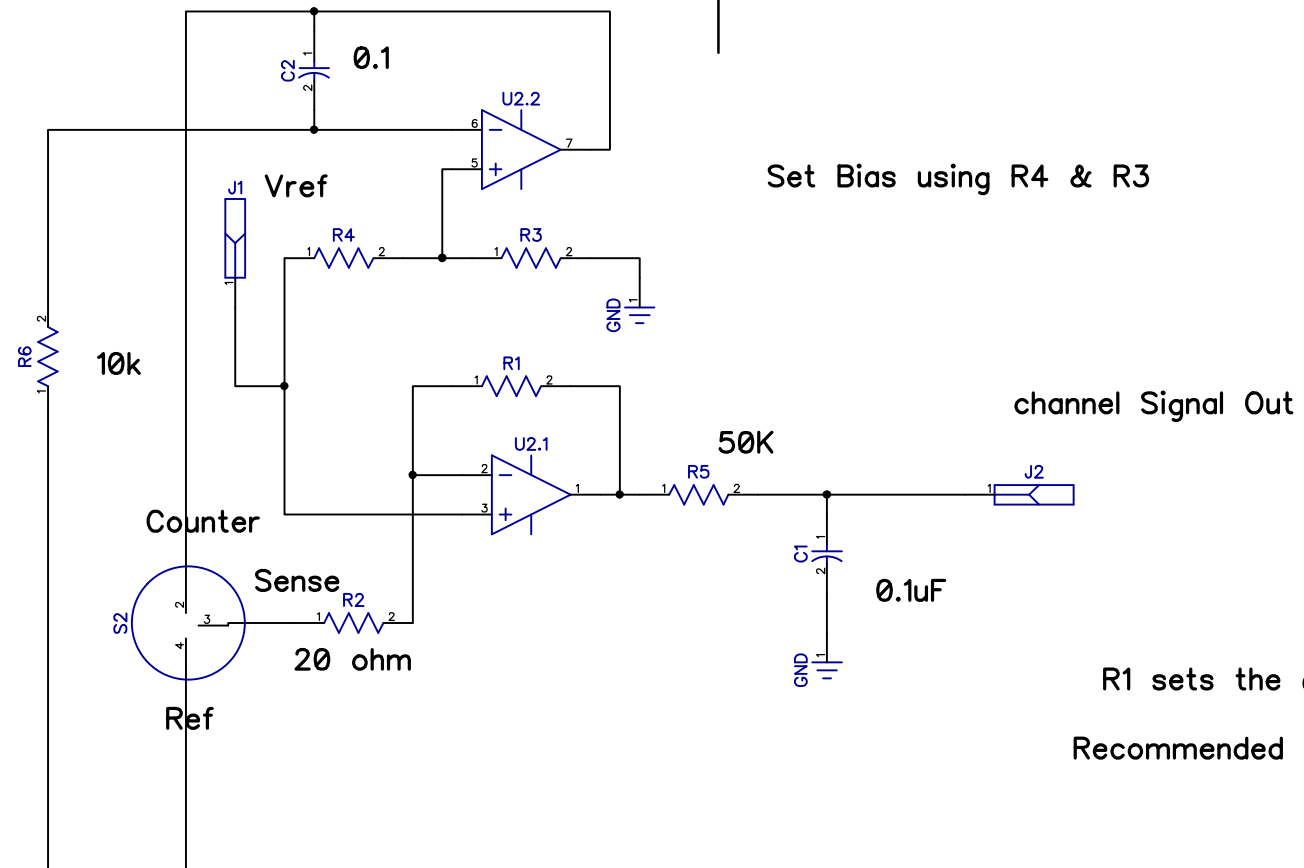
REVISIONS

A0

BIAS TOX toxic sensor

June 2014

J.dorsey



Set Bias using R4 & R3

channel Signal Out

R1 sets the gain of the circuit
Recommended Values 10k to 50k

Instrumentation Quality amplifier Low input offset < 200uV	DD Scientific Limited		
	Bias TOX Toxic Sensor Drive		
Op Amp TLC2252	B	FSCM NO.	DWG NO. S+4 TOX
			REV A0
			Sheet 1