

REVISIONS

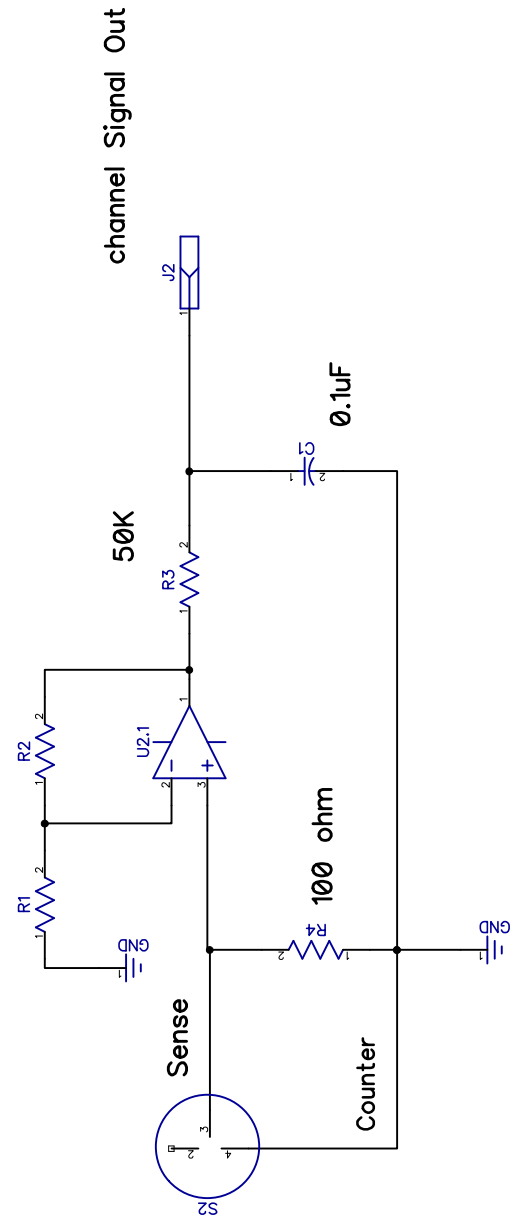
A0

Oxygen sensor

June 2014

J.dorsey

Gain $(R2/R1)+1$



Instrumentation
Quality amplifier
Low input offset < 200uV

DD Scientific Limited

Oxygen Sensor Drive

Op Amp TLC2252

B FSCM NO.

DWG NO.
Oxygen

REV
A0

Sheet 1