

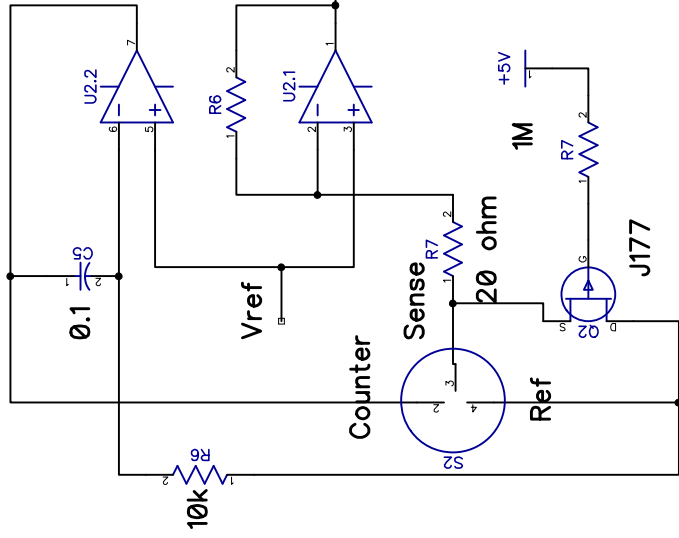
REVISIONS

A0

S+4 TOX toxic sensor

June 2014

J.dorsey



channel Signal Out

R6 sets the gain of the circuit
Recommended Values 10k to 50k

Instrumentation Quality amplifier Low input offset < 200uV		DD Scientific Limited	
Op Amp TLC2252		S+4 TOX Toxic Sensor Drive	
B	FSCM NO.	DWG NO. S+4 TOX	REV A0
		Sheet 1	