

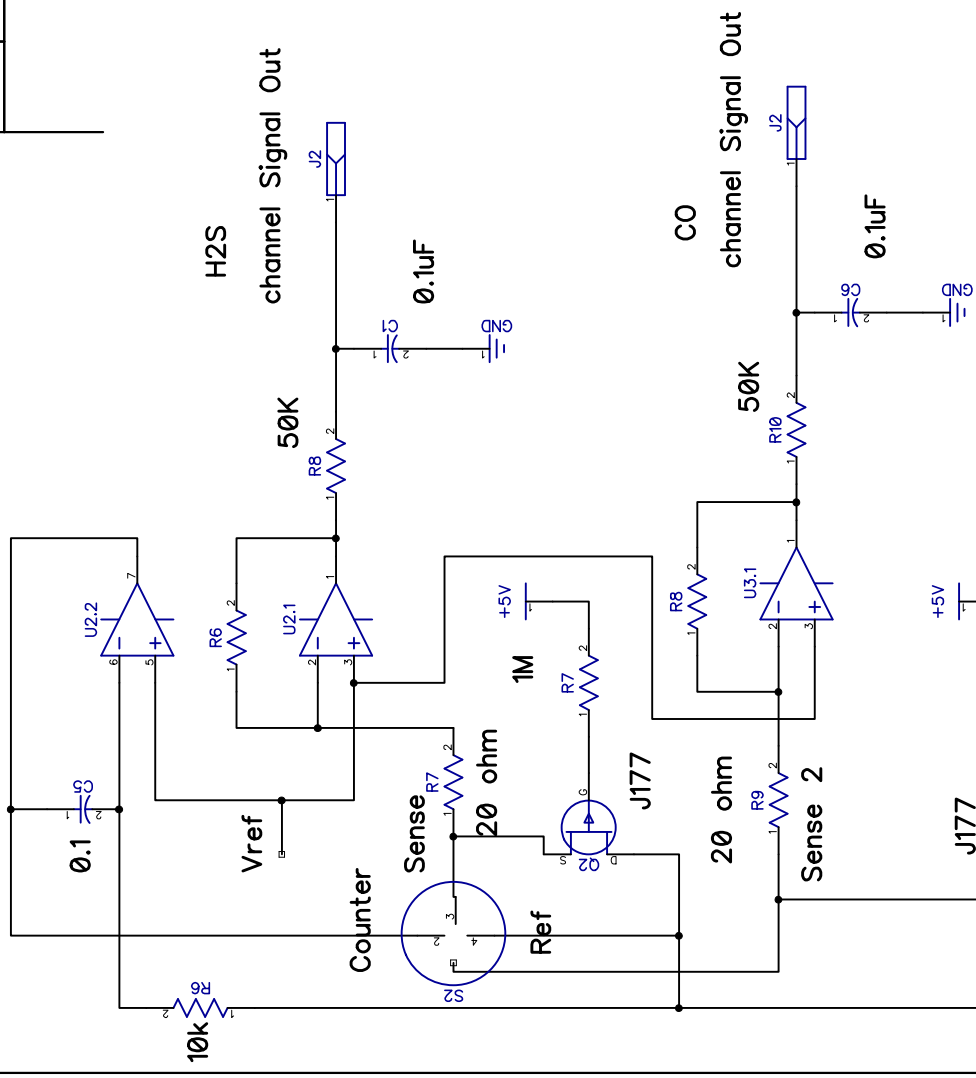
REVISIONS

S+4DT Dual toxic sensor

June 2014

J.dorsey

A0



R6 & R8 set the gain of the circuit
 Size these values according to ADC
 And Sensor Range Desired

Recommended Values 10k to 50k

Instrumentation Quality amplifier Low input offset < 200uV		DD Scientific Limited	
Op Amp TLC2254		S+4DT Toxic Sensor Drive	
B	FSCM NO.	DWG NO. S+4DT	REV A0
		Sheet 1	