



DD-SCIENTIFIC
MEDICAL

2023

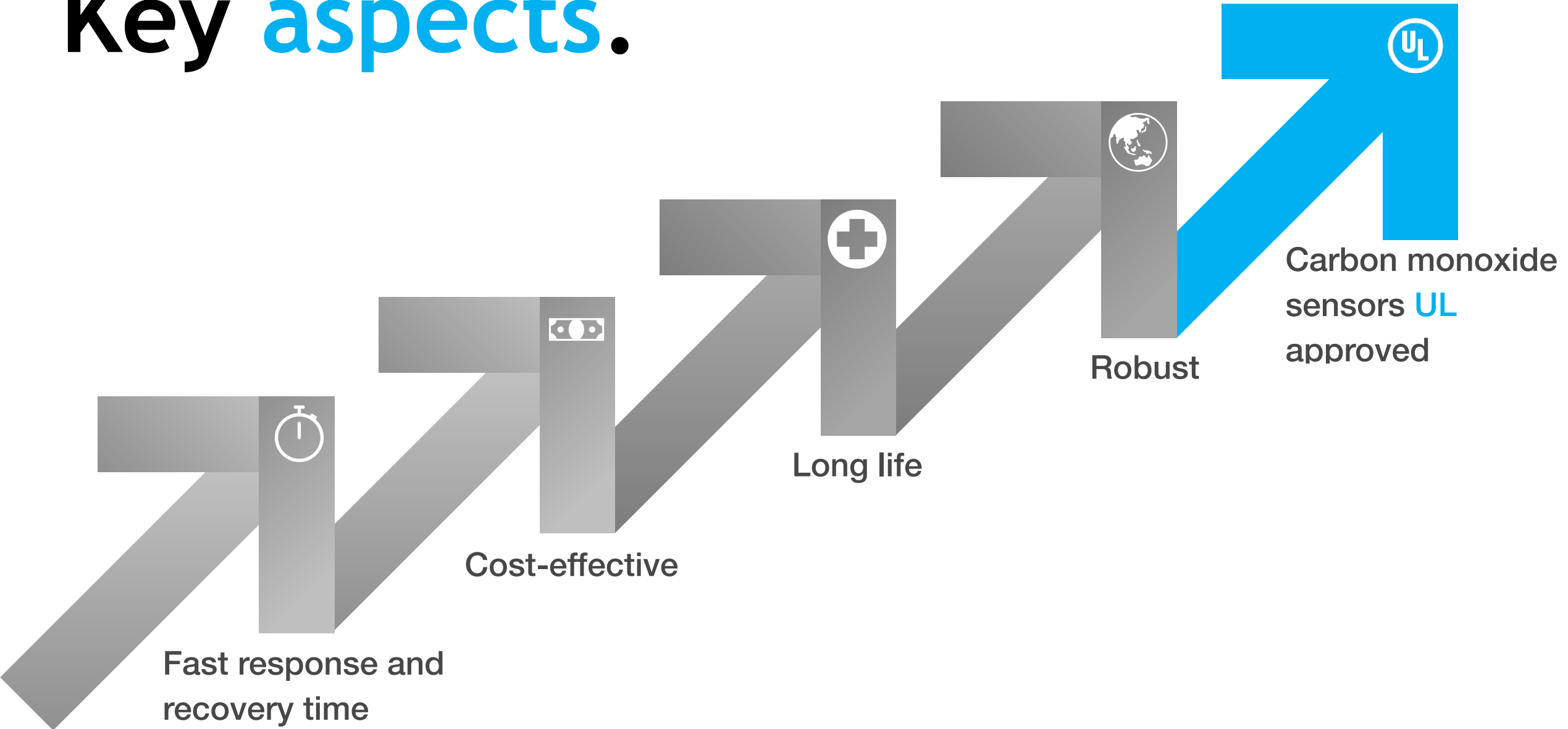
for more information:
www.ddscientific.com

MEDICAL




Now, more than ever patients rely on high performance oxygen sensors in ventilation and anaesthesia equipment to keep them safe. DD-Scientific offer reliable and cost-effective sensors for medical applications.



Key aspects.

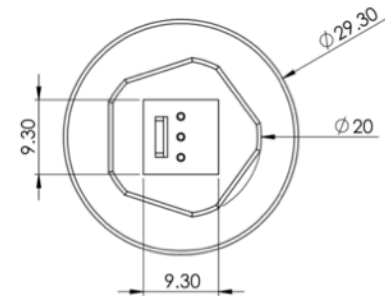
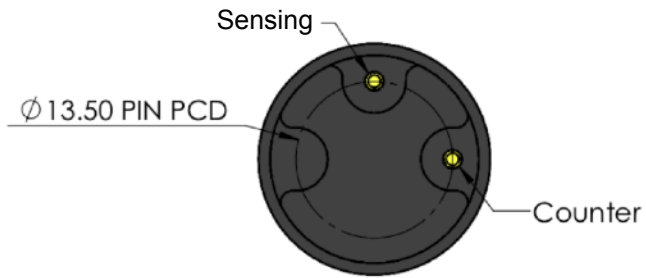
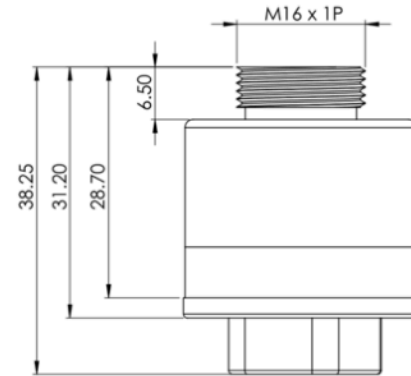
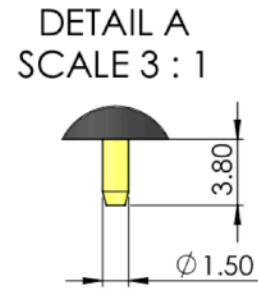
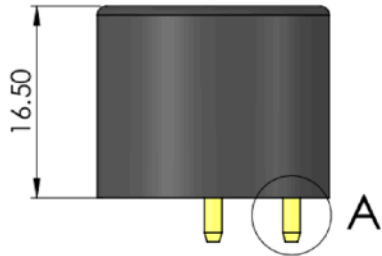
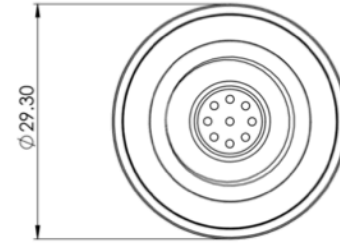
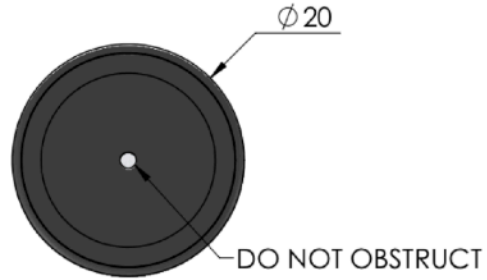


Specifications.

			
	S+4 2ECO H	S+4 2ECO LH	S+VOX
Part Number	1160	1250	1071
Target Gas	Carbon Monoxide	Carbon Monoxide	Oxygen
Measurement Range / ppm	0 - 200	0 - 1000	0 - 100 % Oxygen
Output nA / ppm	175 ± 50	50 ± 20	8-13mV in Air @STP
T90 Response Time	< 30 seconds	< 30 seconds	< 5 seconds
Warranty*	24 Months	24 Months	12 Months

*Warranty subject to DD-Scientific general terms and conditions of sale.

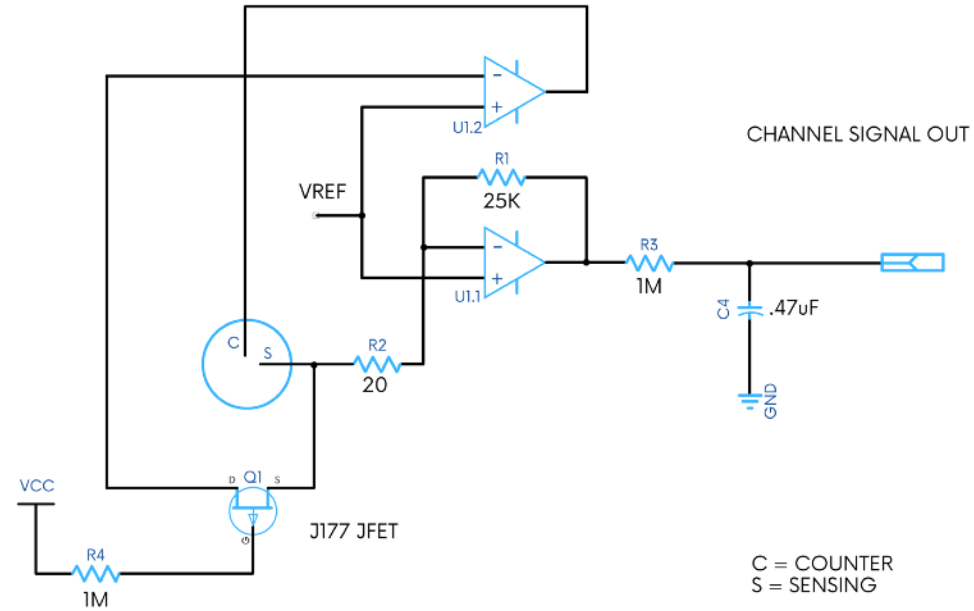
Outline Dimensions.



Product Dimensions
All dimensions in mm

Circuit Diagrams.

2 ELECTRODE SENSOR CIRCUIT



About DDS.

DDS is a fast growing sensor manufacturer. Founded by Daniel Davies in 2011, we are now producing a potentially life-saving gas sensor every 3 seconds.

Our founding goal was to bring sensors of high quality and consistent performance at competitive prices to the marketplace. We achieve this by investing in new technologies and manufacturing equipment, and designing sensors from the start to be as simple as possible to manufacture whilst not sacrificing performance.



32 BILLION
DDS have successfully delivered more than **32bn** hours of protection for personnel, assets and the environment since **2019**.

QUALITY



Warranty returns tracked at **130ppm**



From Automotive to VOC
DD-Scientific electrochemical gas sensors are used in many different applications around the world.



A potentially life saving sensor made every **SECONDS**



250 YEARS

DDS boast key personnel with over **250+ years** of experience between them in gas sensors and gas detection instrumentation



Protecting **5 million** residential occupants every year



R&D AND AUTOMATION

We invest heavily in **R&D** and **manufacturing technology** to make sure we are working efficiently and producing high-quality sensors meeting the current and future needs of the gas detection industry.



Portfolio of packages
Portfolio of Gases

O₂ CO H₂S SO₂ NH₃ NO₂ Cl₂ C₂H₄O NO H₂ O₃

ISO 9001
14001

