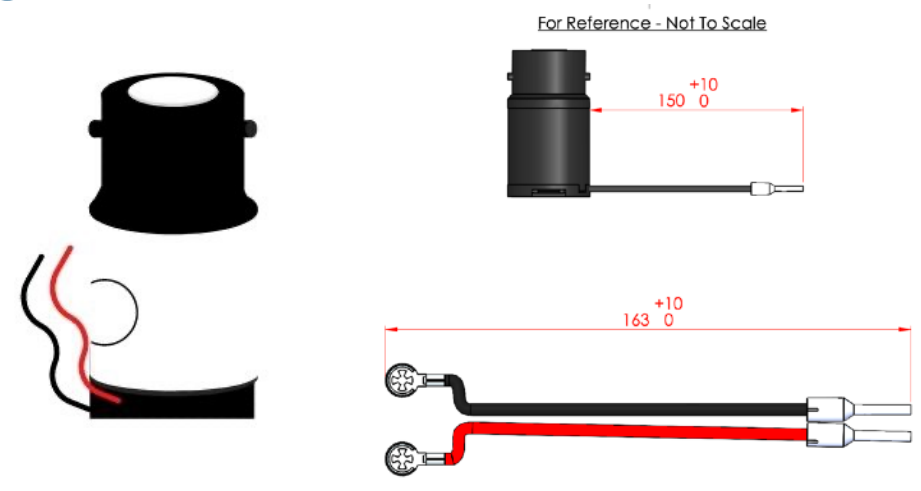
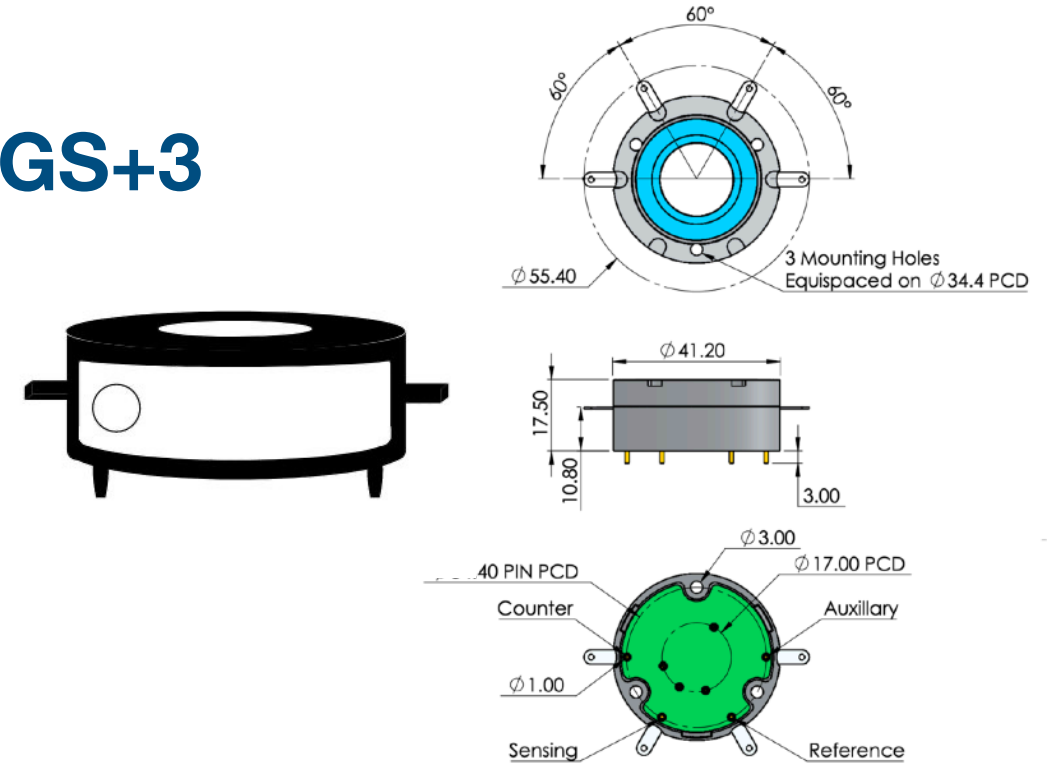


# Packaging Information

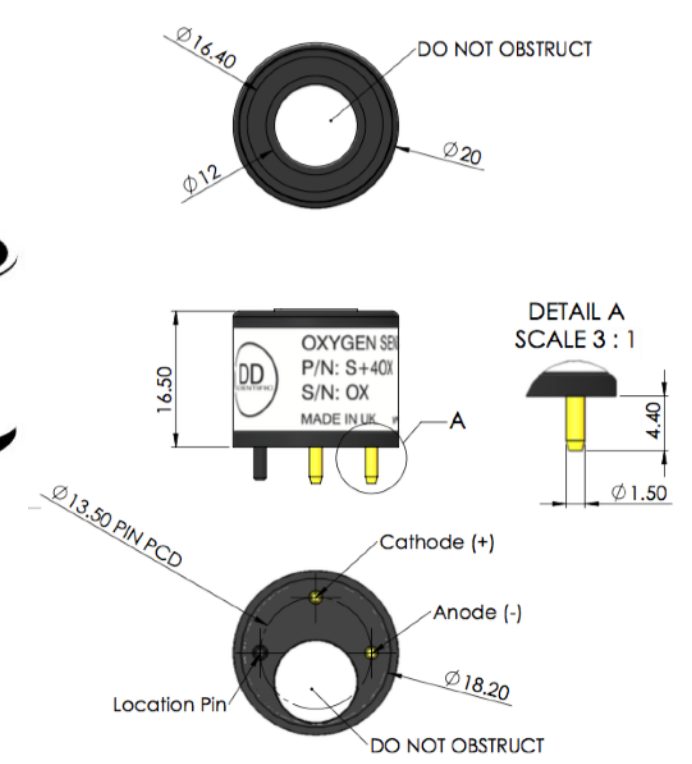
## GS+2



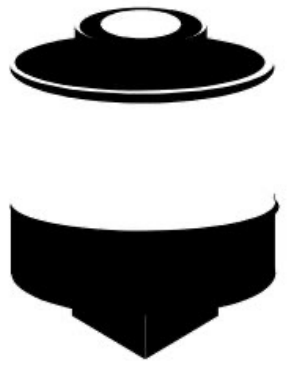
## GS+3



## GS+4



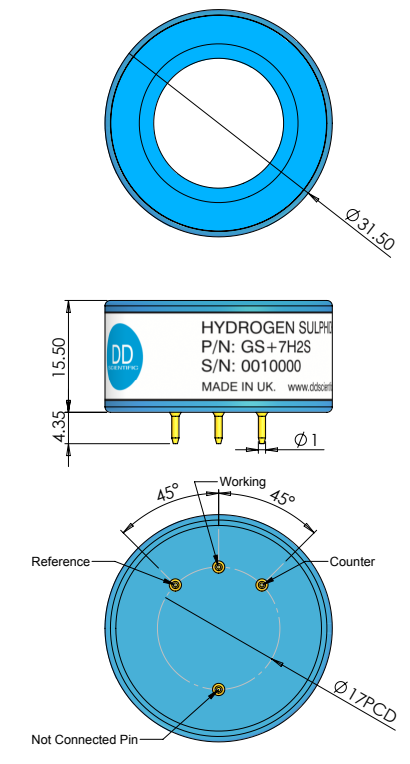
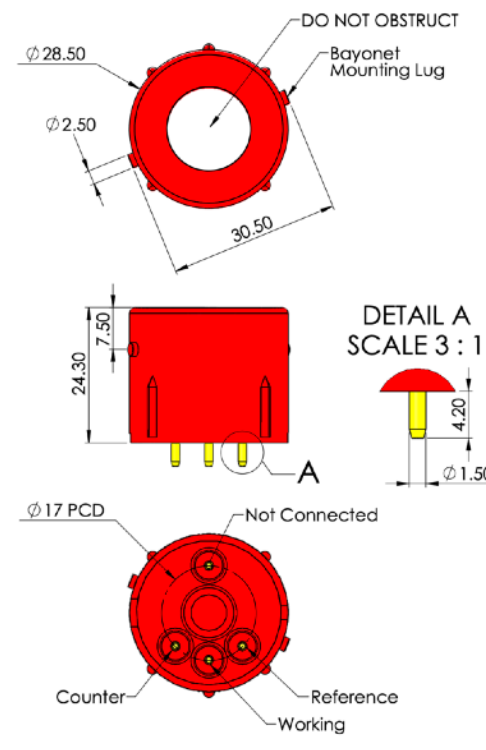
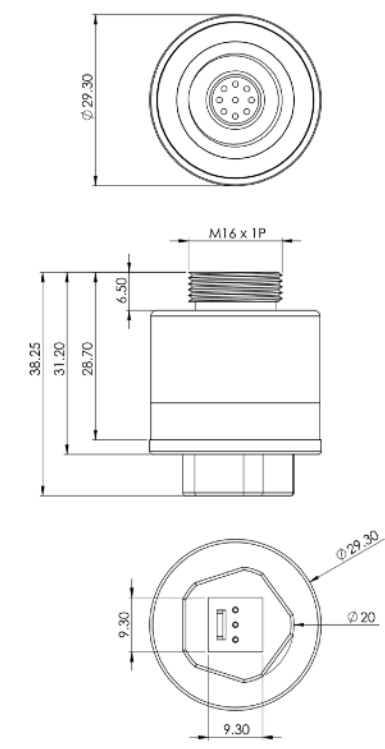
## A series



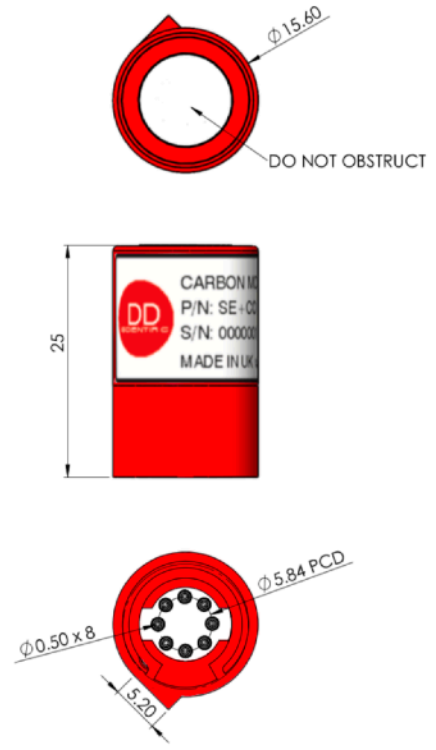
## GS+5



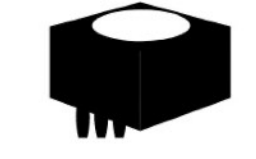
## GS+7



## SE



## F14



## DcelL

