



DD-SCIENTIFIC STERILIZATION

2023

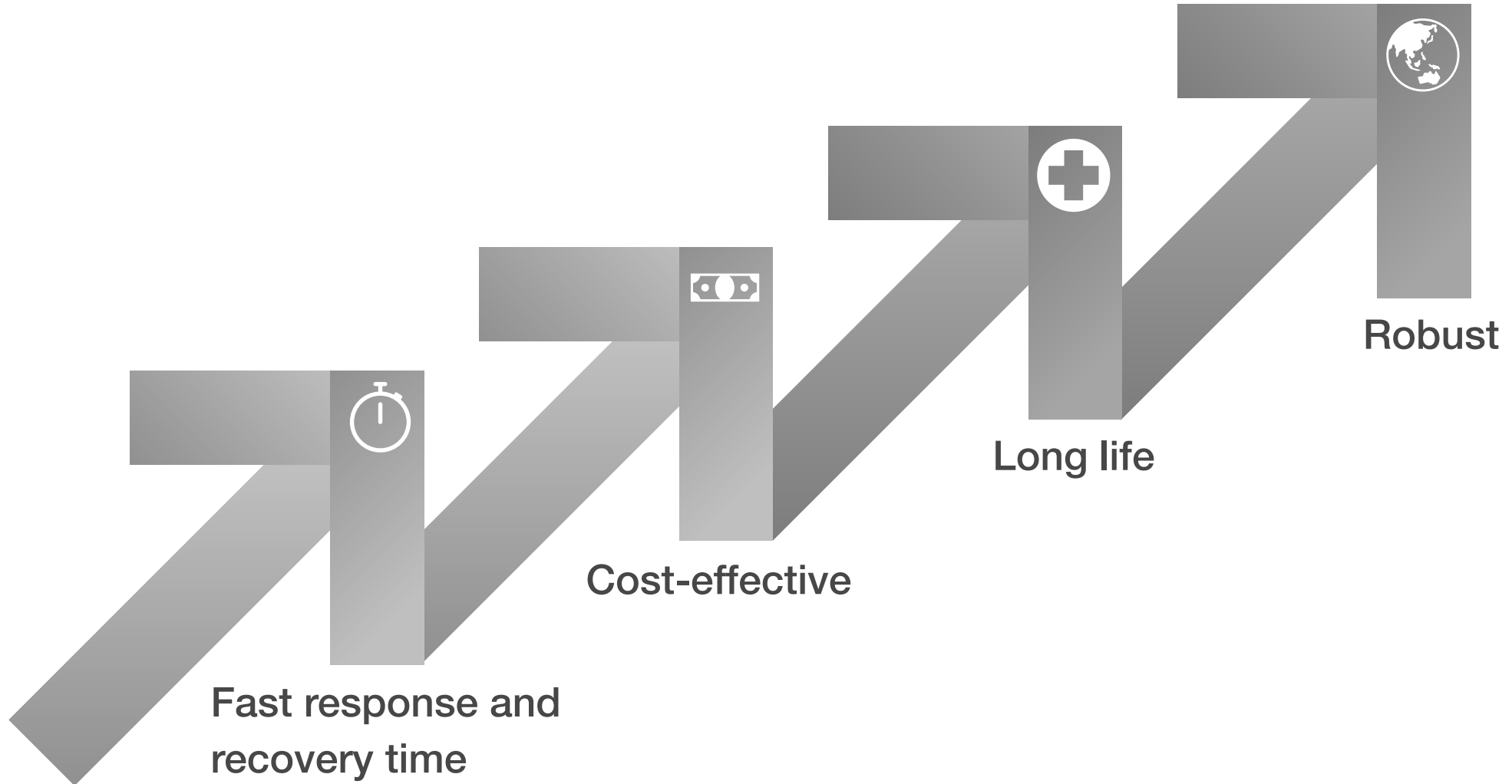
for more information:
www.ddscientific.com

Sterilization



Although the use of ETO as a pesticide is prohibited throughout much of the World, it remains a permitted substance in some jurisdictions. The most common use of ETO today is for the sterilisation of surgical equipment, swabs, test kits etc. a colourless gas with a slightly sweet aroma, it is highly flammable, toxic and is listed as having the potential to be carcinogenic.



Key aspects.

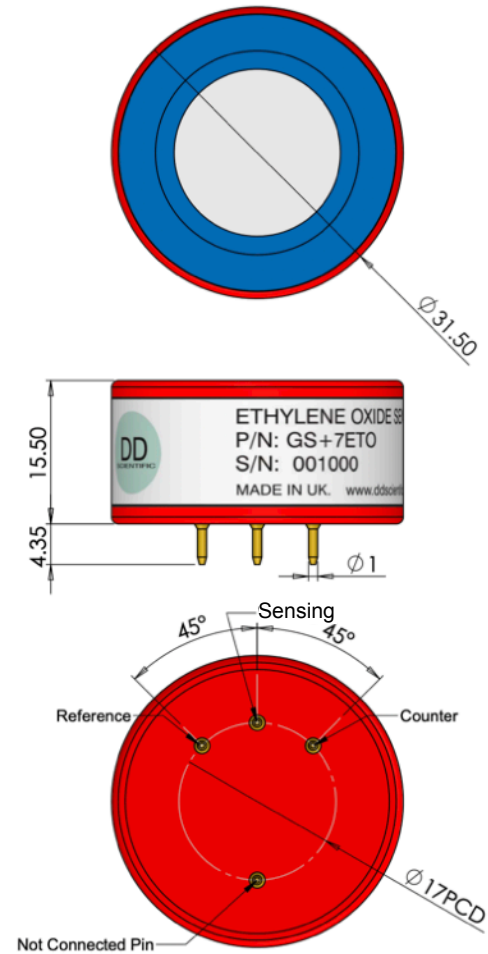
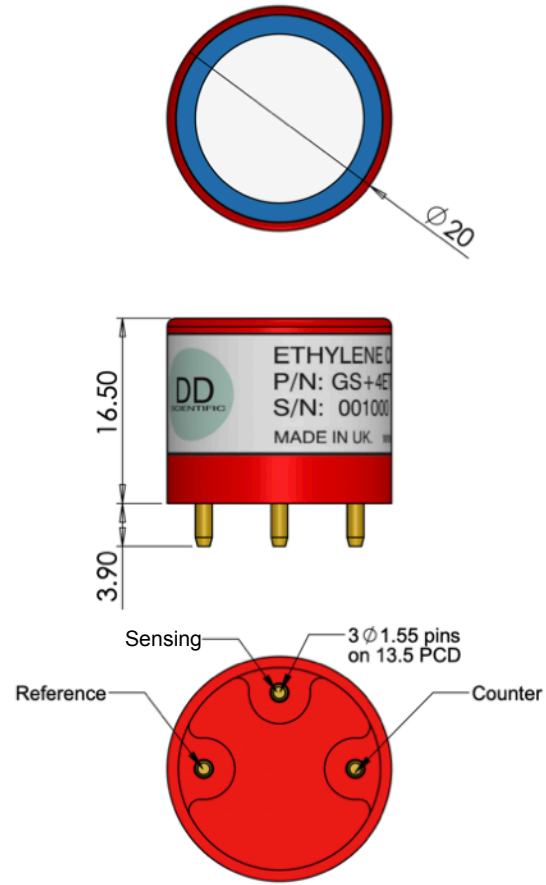


Specifications.

	 GS+4ETO	 GS+7ETO
Part Number	1330	1070
Target Gas	Ethylene Oxide	Ethylene Oxide
Measurement Range / ppm	0 - 20	0 - 30
Output nA / ppm	1900 ± 600	2500 ± 700
T90 Response Time	< 120 seconds	< 120 seconds
Warranty*	12 Months	12 Months

*Warranty subject to DD-Scientific general terms and conditions of sale.

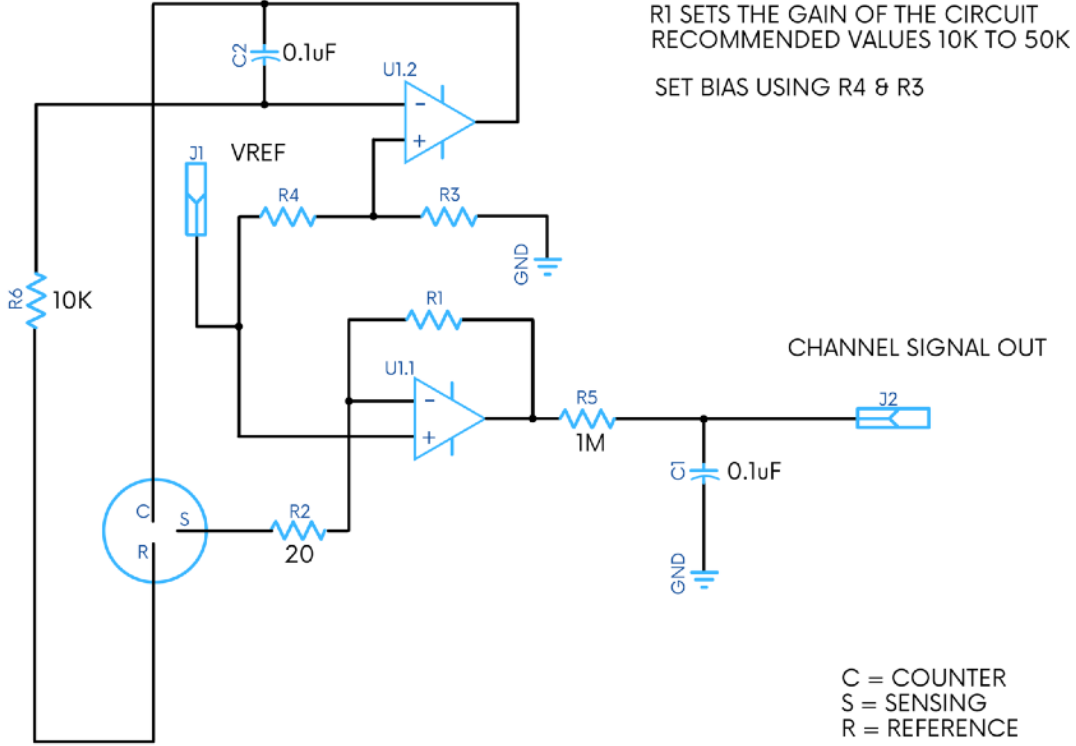
Outline Dimensions.



Product Dimensions
All dimensions in mm

Circuit Diagrams.

BIASED SENSOR CIRCUIT



About DDS.

DDS is a fast growing sensor manufacturer. Founded by Daniel Davies in 2011, we are now producing a potentially life-saving gas sensor every 3 seconds.

Our founding goal was to bring sensors of high quality and consistent performance at competitive prices to the marketplace. We achieve this by investing in new technologies and manufacturing equipment, and designing sensors from the start to be as simple as possible to manufacture whilst not sacrificing performance.



32 BILLION
DDS have successfully delivered more than **32bn** hours of protection for personnel, assets and the environment since **2019**.

QUALITY



Warranty returns tracked at **130ppm**



From Automotive to VOC
DD-Scientific electrochemical gas sensors are used in many different applications around the world.



A potentially life saving sensor made every **SECONDS**



250 YEARS

DDS boast key personnel with over **250+ years** of experience between them in gas sensors and gas detection instrumentation



5 MILLION

Protecting **5 million** residential occupants every year



R&D AND AUTOMATION

We invest heavily in **R&D** and **manufacturing technology** to make sure we are working efficiently and producing high-quality sensors meeting the current and future needs of the gas detection industry.



Portfolio of packages
Portfolio of Gases

O₂ CO H₂S SO₂ NH₃ NO₂ Cl₂ C₂H₄O NO H₂ O₃

ISO 9001
14001

