



DD-SCIENTIFIC

# TRANSPORT & FUEL CELLS

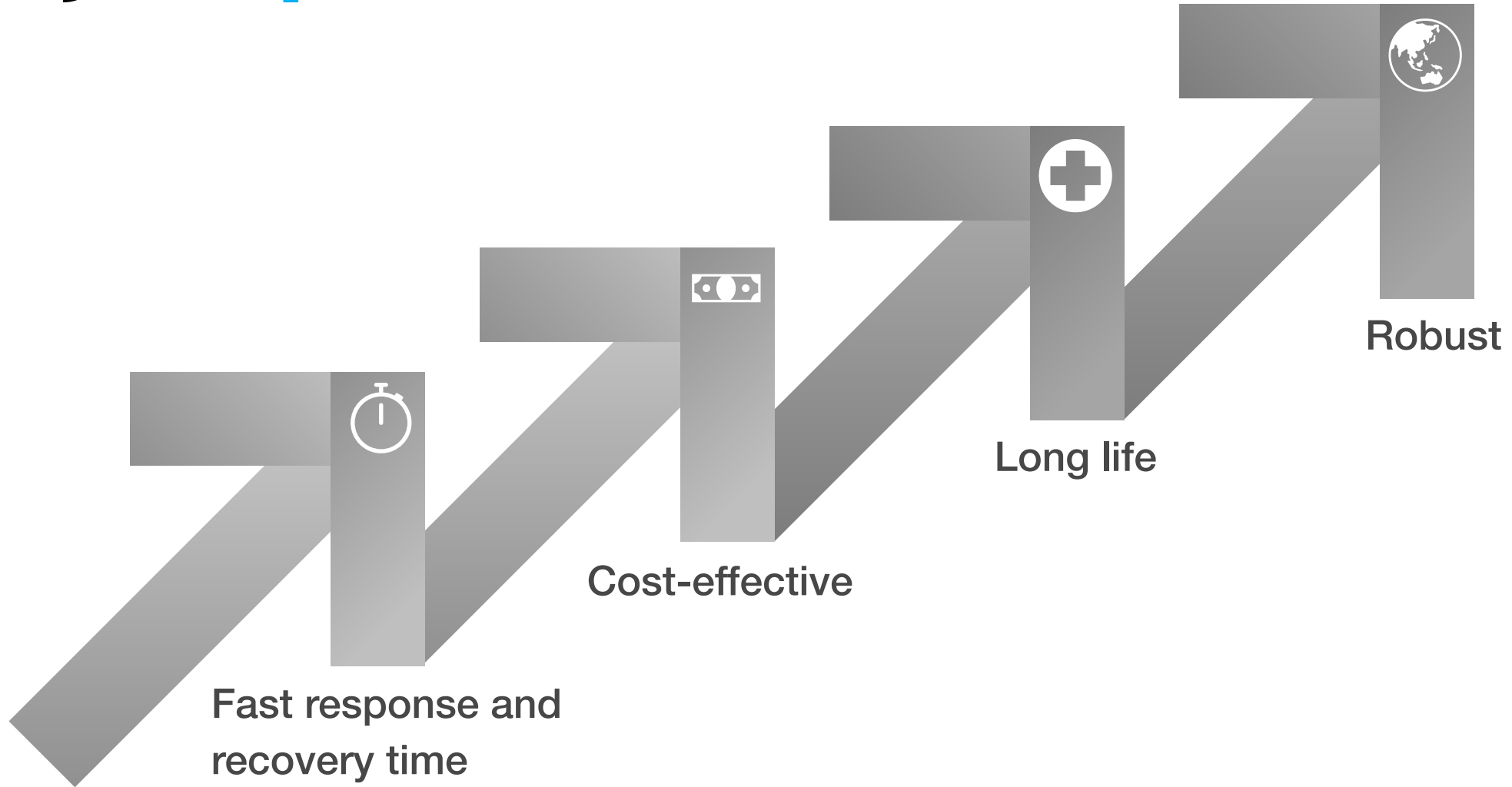
2023

# Transport & Fuel Cells




Hydrogen gas is in huge demand industrially because of its renewable energy storage potential and is playing a critical role in the world's transition to a cleaner and more sustainable energy mix. It is becoming increasingly popular as an additive to domestic natural fuel supplies as well as seeing increasing demand as hydrogen fuel cells become more prevalent. Since hydrogen gas is flammable and a potential source of explosions, in many applications it needs to be measured.



# Key aspects.

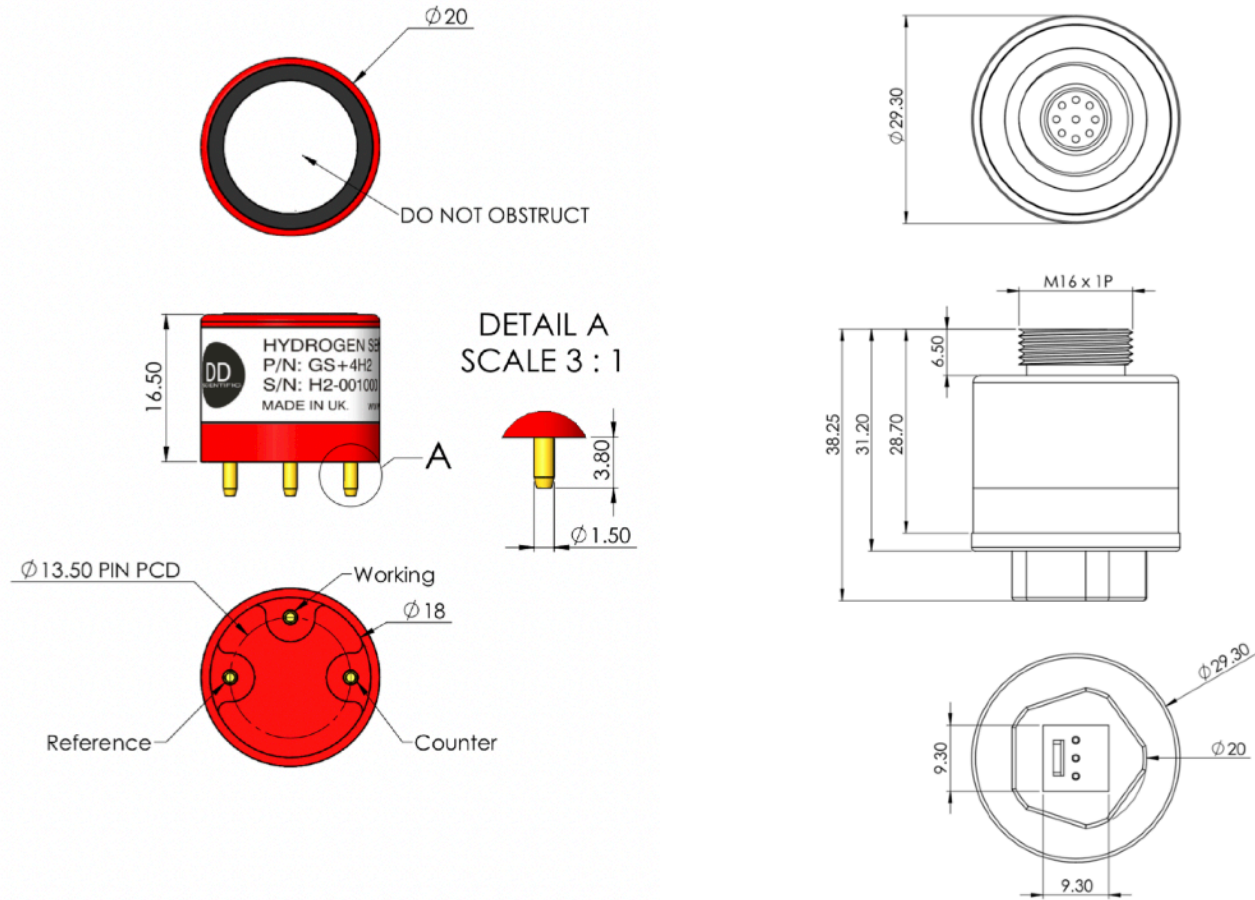


# Specifications.

|                                |  |   |  |
|--------------------------------|--|---|--|
|                                |  <p>GS+4H2</p> |  <p>GS+7H2</p> |  <p>S+AOX</p> |
| <b>Part Number</b>             | <b>2200</b>  | <b>2221</b>   | <b>2105</b>  |
| <b>Target Gas</b>              | <b>Hydrogen</b>  | <b>Hydrogen</b>   | <b>Oxygen</b>  |
| <b>Measurement Range / ppm</b> | <b>0 - 1000</b>  | <b>0 - 1000</b>   | <b>0 - 100%<br/>Oxygen</b>   |
| <b>Output nA / ppm</b>         | <b>20 ± 10</b>   | <b>30 ± 10</b>  | <b>8-13mV in Air @STP</b>  |
| <b>T90 Response Time</b>       | <b>&lt; 75 seconds</b>   | <b>&lt; 90 seconds</b>  | <b>&lt; 5 seconds</b>  |
| <b>Warranty*</b>               | <b>24 Months</b>   | <b>24 Months</b>  | <b>24 Months</b>   |

\*Warranty subject to DD-Scientific general terms and conditions of sale.

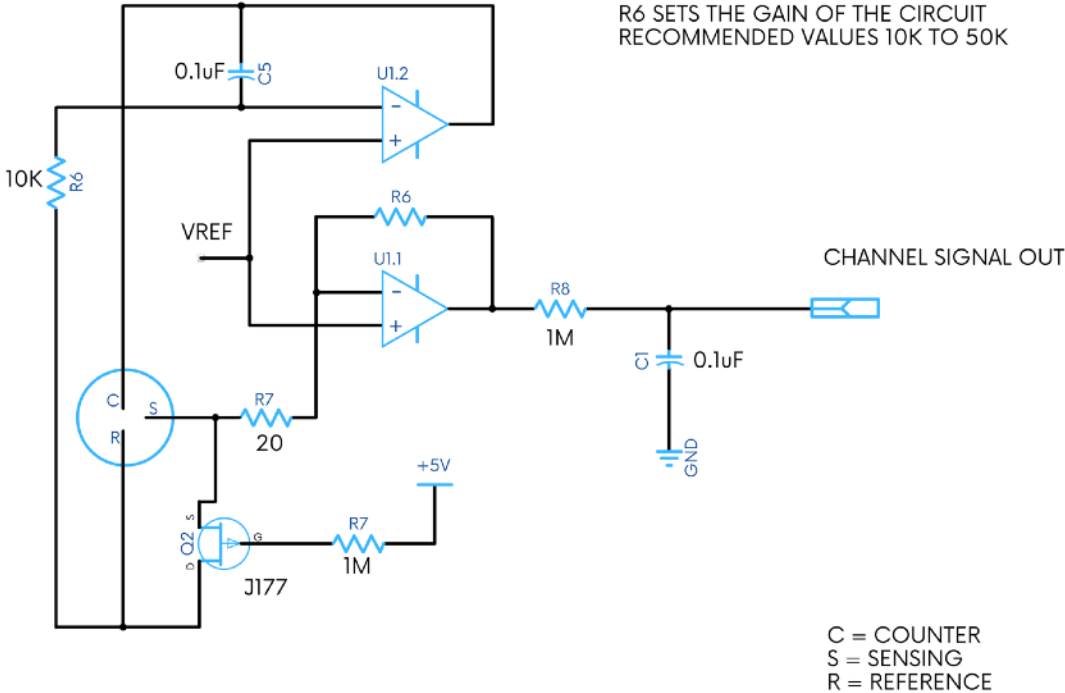
# Outline Dimensions.



Product Dimensions  
All dimensions in mm

# Circuit Diagrams.

## 3 ELECTRODE SENSOR CIRCUIT



# About DDS.

DDS is a fast growing sensor manufacturer. Founded by Daniel Davies in 2011, we are now producing a potentially life-saving gas sensor every 3 seconds.

Our founding goal was to bring sensors of high quality and consistent performance at competitive prices to the marketplace. We achieve this by investing in new technologies and manufacturing equipment, and designing sensors from the start to be as simple as possible to manufacture whilst not sacrificing performance.



**32 BILLION**  
DDS have successfully delivered more than **32bn** hours of protection for personnel, assets and the environment since **2019**.

## QUALITY



Warranty returns tracked at **130ppm**



**From Automotive to VOC**  
DD-Scientific electrochemical gas sensors are used in many different applications around the world.



A potentially life saving sensor made every **SECONDS**



**250 YEARS**

DDS boast key personnel with over **250+ years** of experience between them in gas sensors and gas detection instrumentation



**5 MILLION**

Protecting **5 million** residential occupants every year



**R&D AND AUTOMATION**

We invest heavily in **R&D** and **manufacturing technology** to make sure we are working efficiently and producing high-quality sensors meeting the current and future needs of the gas detection industry.



Portfolio of packages  
Portfolio of Gases

O<sub>2</sub> CO H<sub>2</sub>S SO<sub>2</sub> NH<sub>3</sub> NO<sub>2</sub> Cl<sub>2</sub> C<sub>2</sub>H<sub>4</sub>O NO H<sub>2</sub> O<sub>3</sub>

**ISO 9001**  
**14001**

