



DD-SCIENTIFIC

**VOC / INDOOR AIR QUALITY**

2023

for more information:  
[www.ddscientific.com](http://www.ddscientific.com)

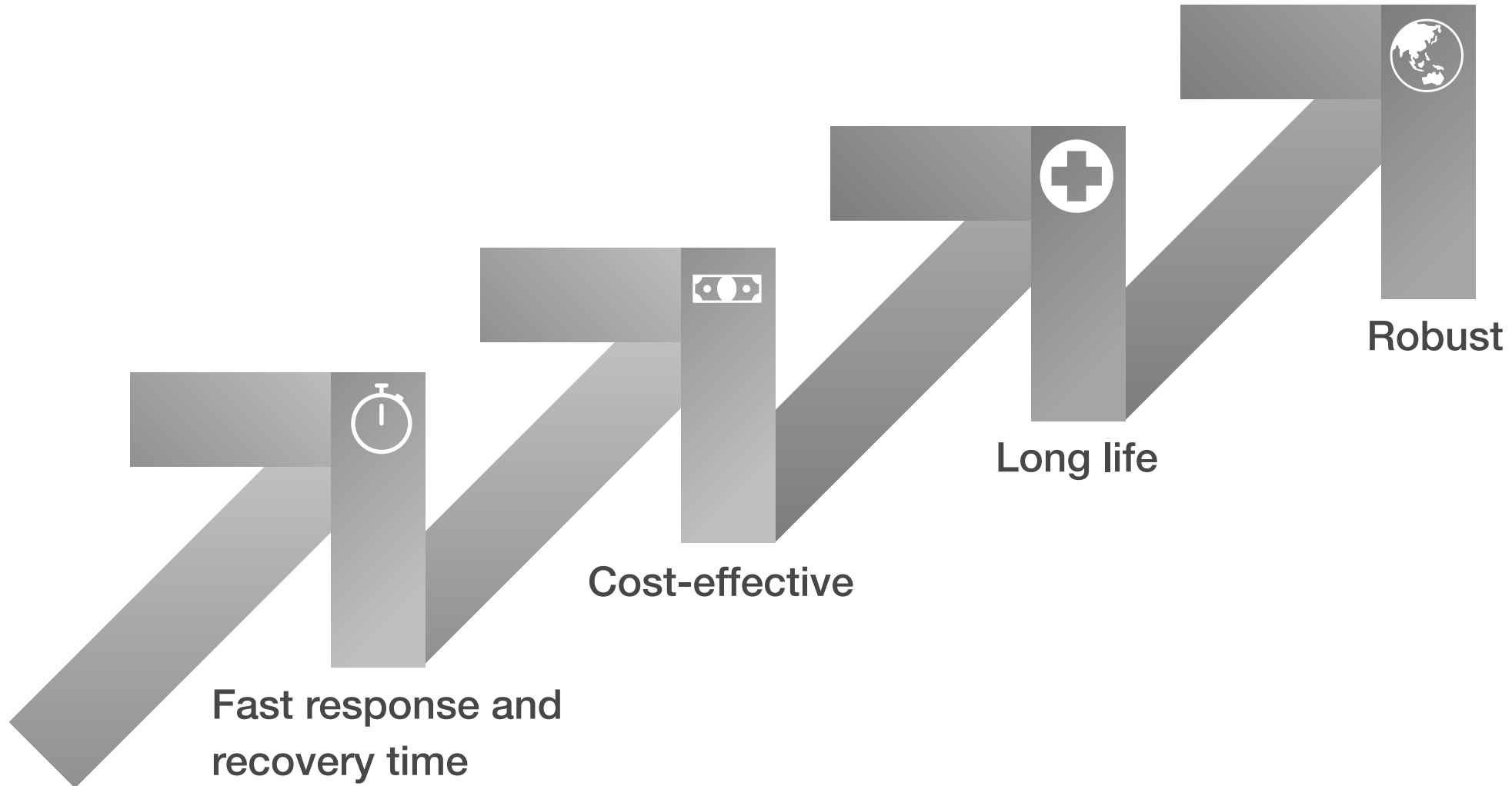
# VOC / INDOOR AIR QUALITY

---




Many pollutant gases contribute to poor air quality and we have a growing range of sensors optimised for the measurement of these gases in low concentrations and with excellent repeatability.



# Key aspects.

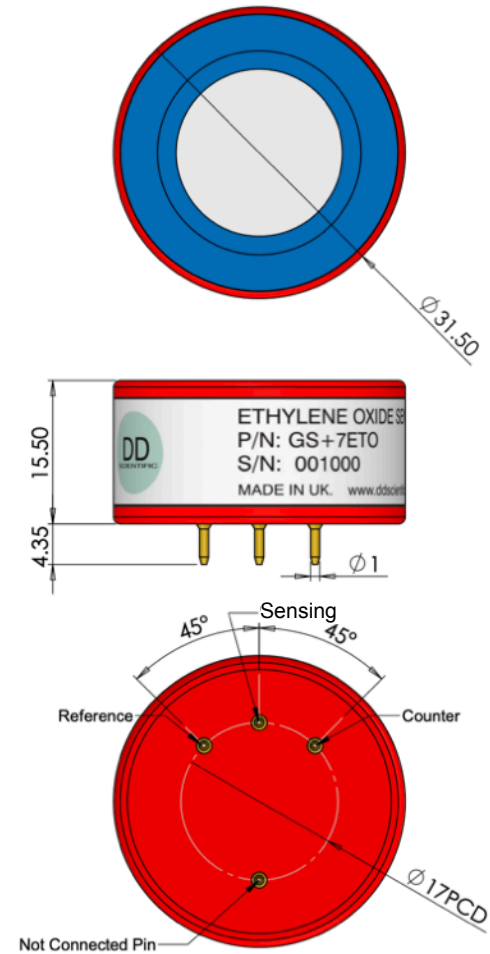
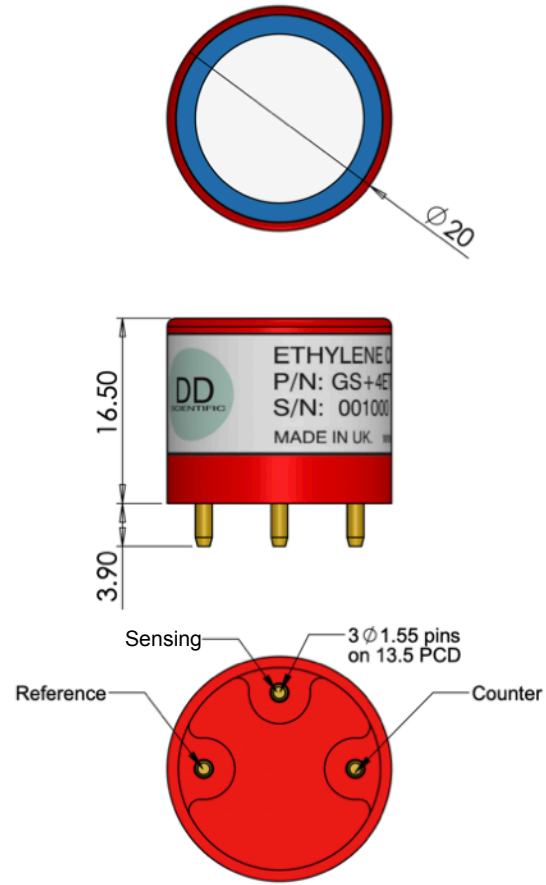


# Specifications.

	 GS+403	 GS+4ETO	 GS+7ETO
Part Number	<b>2220</b>	<b>1330</b>	<b>1070</b>
Target Gas	<b>Ozone</b>	<b>Ethylene Oxide</b>	<b>Ethylene Oxide</b>
Measurement Range / ppm	<b>0 - 20</b>	<b>0 - 20</b>	<b>0 - 30</b>
Output nA / ppm	<b>1000 ± 400</b>	<b>1900 ± 600</b>	<b>2500 ± 700</b>
T90 Response Time	<b>&lt; 40 seconds</b>	<b>&lt; 120 seconds</b>	<b>&lt; 120 seconds</b>
Warranty*	<b>12 Months</b>	<b>12 Months</b>	<b>12 Months</b>

\*Warranty subject to DD-Scientific general terms and conditions of sale.

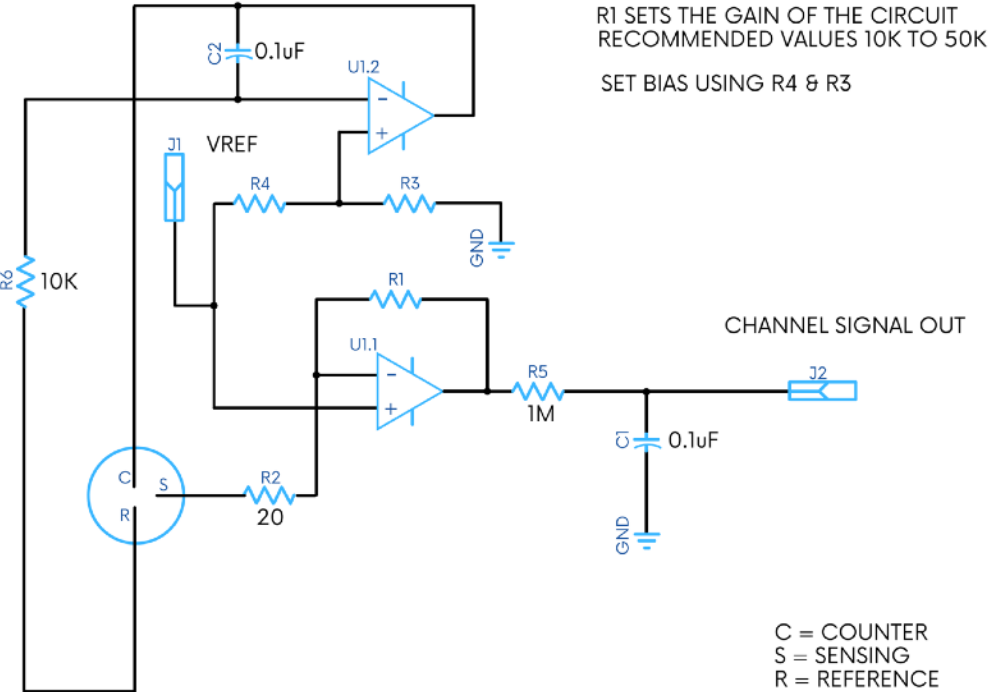
# Outline Dimensions.



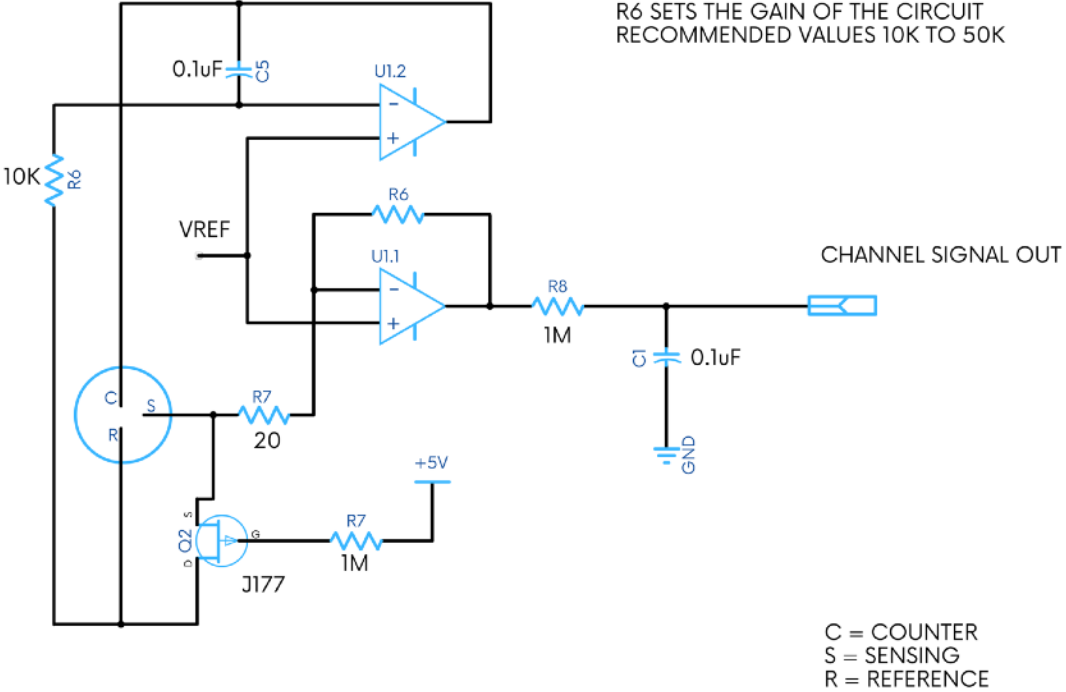
Product Dimensions  
All dimensions in mm

# Circuit Diagrams.

## BIASED SENSOR CIRCUIT



## 3 ELECTRODE SENSOR CIRCUIT



# About DDS.

DDS is a fast growing sensor manufacturer. Founded by Daniel Davies in 2011, we are now producing a potentially life-saving gas sensor every 3 seconds.

Our founding goal was to bring sensors of high quality and consistent performance at competitive prices to the marketplace. We achieve this by investing in new technologies and manufacturing equipment, and designing sensors from the start to be as simple as possible to manufacture whilst not sacrificing performance.



**32 BILLION**  
DDS have successfully delivered more than **32bn** hours of protection for personnel, assets and the environment since **2019**.

## QUALITY



Warranty returns tracked at **130ppm**



**From Automotive to VOC**  
DD-Scientific electrochemical gas sensors are used in many different applications around the world.



A potentially life saving sensor made every **SECONDS**



**250 YEARS**

DDS boast key personnel with over **250+ years** of experience between them in gas sensors and gas detection instrumentation



Protecting **5 million** residential occupants every year



**R&D AND AUTOMATION**

We invest heavily in **R&D** and **manufacturing technology** to make sure we are working efficiently and producing high-quality sensors meeting the current and future needs of the gas detection industry.



Portfolio of packages  
Portfolio of Gases

O<sub>2</sub> CO H<sub>2</sub>S SO<sub>2</sub> NH<sub>3</sub> NO<sub>2</sub> Cl<sub>2</sub> C<sub>2</sub>H<sub>4</sub>O NO H<sub>2</sub> O<sub>3</sub>

**ISO 9001**  
**14001**

